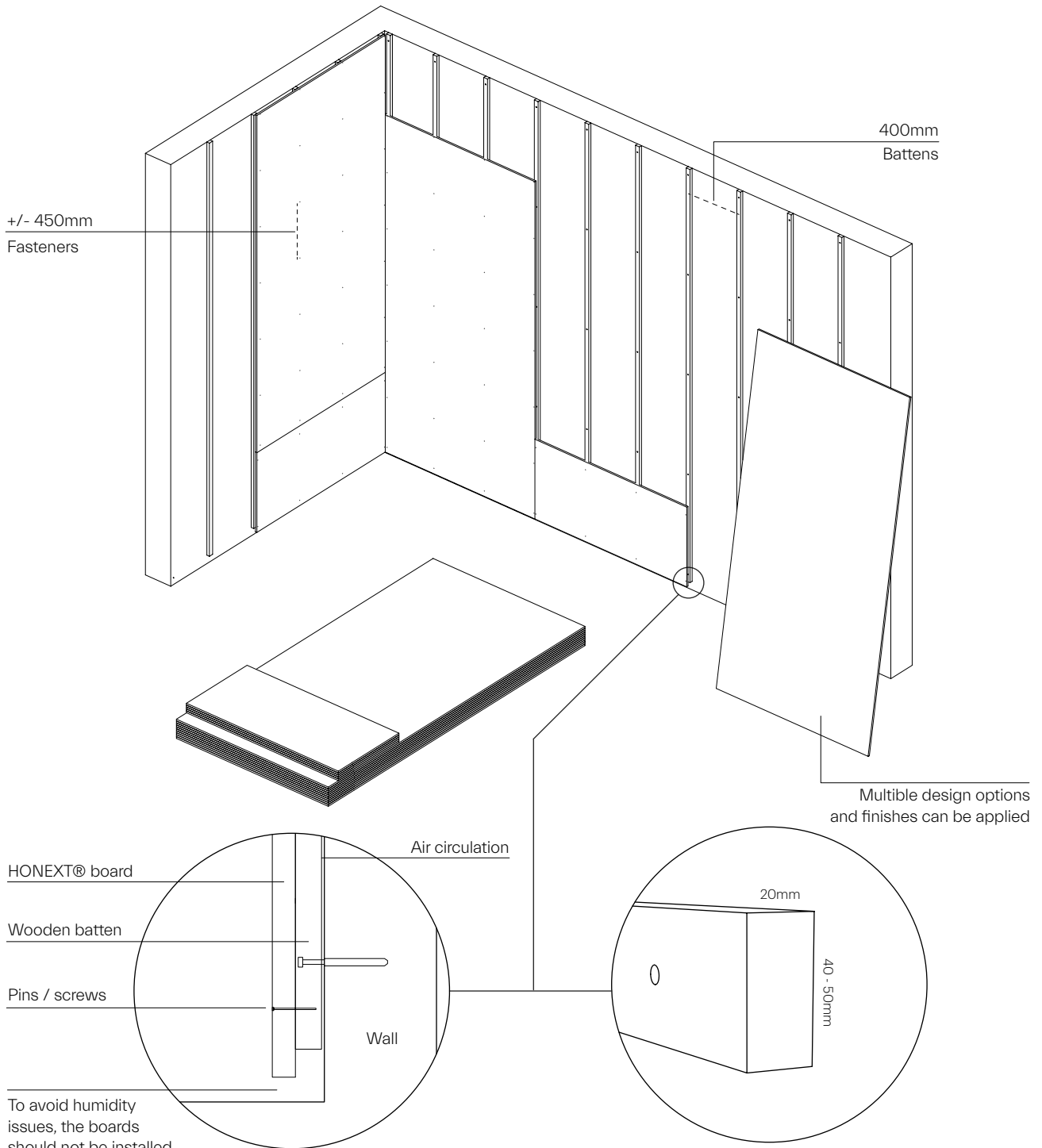


# Installation manual: Wall Cladding

# Wall cladding: fixed system

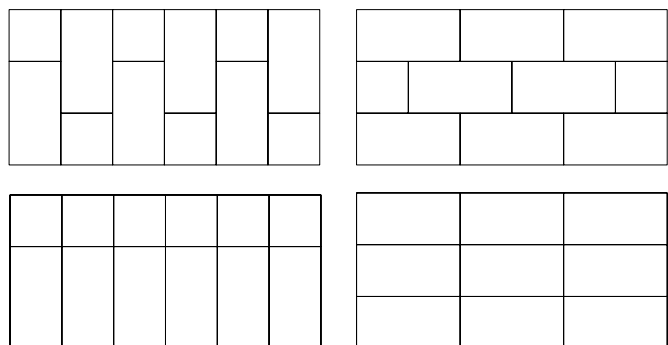


To avoid humidity issues, the boards should not be installed in contact with the floor leaving 15mm +/-

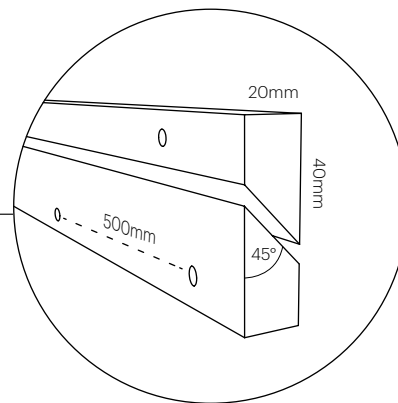
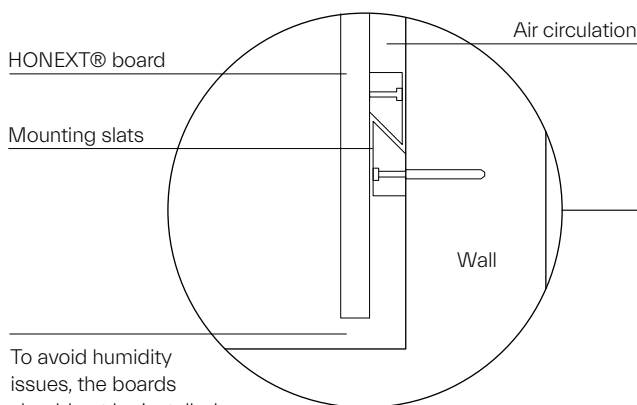
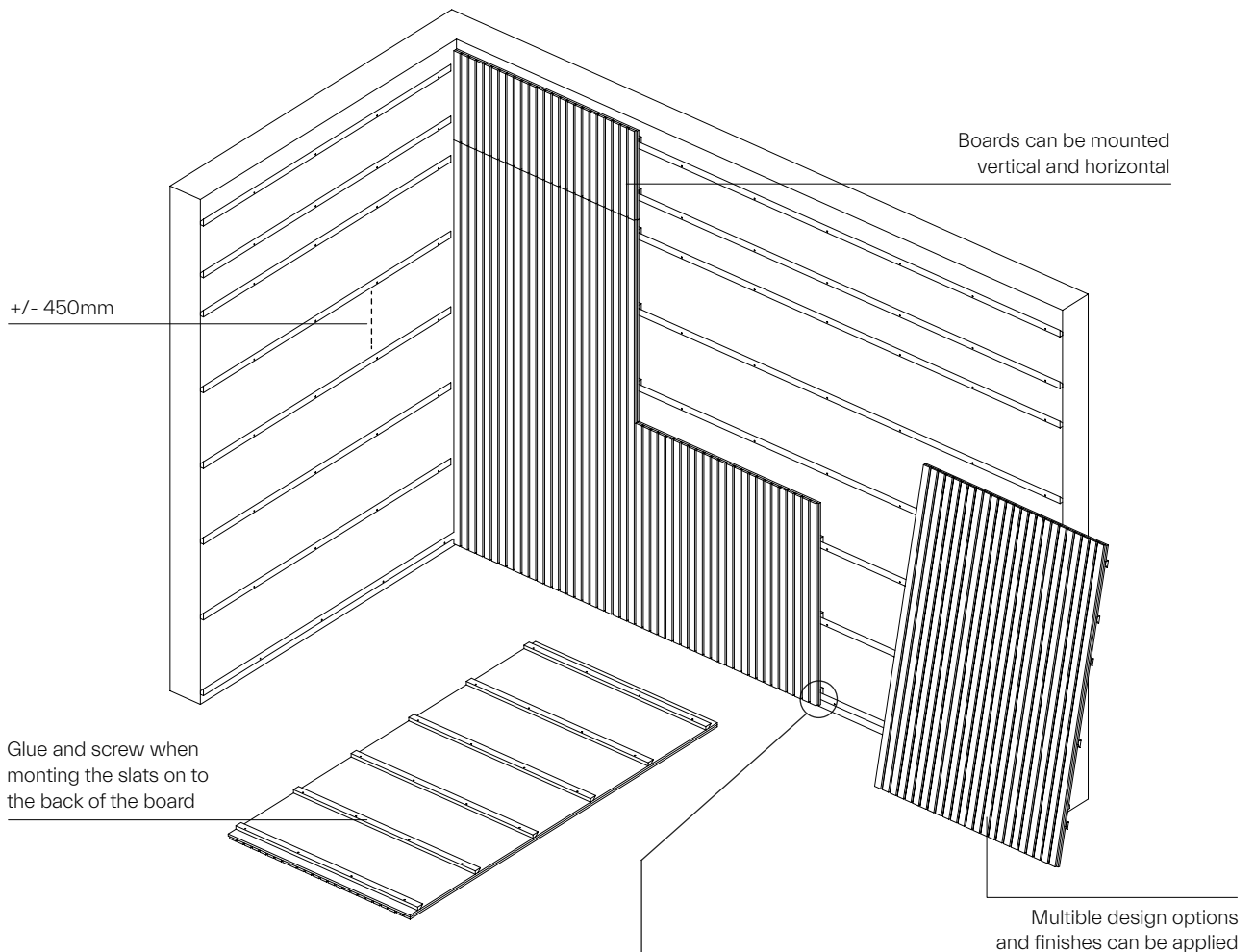
- Joinery:
- Wood screws
  - Wall plugs
  - Wood glue
  - Pins / Nails

We recommend to acclimate the boards to the final temperature and humidity conditions of the room at least 48 hours prior to installation. We also recommend to leave gaps between battens to facilitate air circulation behind the cladding.

Patterns:



# Wall cladding: hanging system



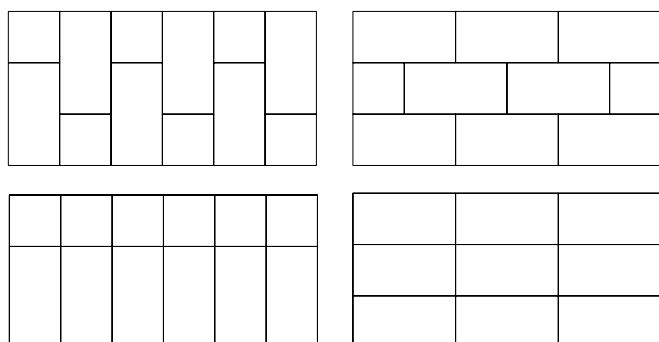
To avoid humidity issues, the boards should not be installed in contact with the floor leaving 15mm +/-

Joinery:

- Wood screws
- Wall plugs
- Wood glue

We recommend to acclimate the boards to the final temperature and humidity conditions of the room at least 48 hours prior to installation. We also recommend to leave gaps between battens to facilitate air circulation behind the cladding.

Patterns:



This leaflet is provided for information purposes only and no liability or responsibility of any kind is accepted by Honext Material S.L. or their representatives. Honext Material S.L. have used reasonable efforts to verify the accuracy of any advice, recommendation or information. Honext Material S.L. reserves the right to alteration of its products, production information and range without notice. As we continually update our technical datasheets please check on [www.honextmaterial.com](http://www.honextmaterial.com) to ensure you have the latest version. For any query or clarification contact [info@honextmaterial.com](mailto:info@honextmaterial.com).